



# JpGU - AGU Joint Meeting 2020

**For a Borderless World of Geoscience**

Japan Geoscience Union, American Geophysical Union

**24-28 MAY 2020**  
**Makuhari Messe, Chiba, Japan**



## **Exhibition Guidance**

- Publishers Desk-
- University Panel-
- Science Society Desk-



Japan Geoscience Union  
American Geophysical Union



# Outline of JpGU-AGU 2020

## Outline

Name of the meeting	JpGU – AGU 2020
Date	May 24th (SUN) – 28th (THU), 2020 for 5 days
Venue	Makuhari Messe International Conference Hall, International Exhibition Hall 8 / Tokyo Bay Makuhari Hall
Host	Japan Geoscience Union

## Society Members

Japanese Society for Biological Sciences in Space, Japan Society of Engineering Geology, The Japanese Society of Hot Spring Sciences, The Oceanographic Society of Japan, The Volcanological Society of Japan, Society of Science on Form, Japan, Japanese Society for Active Fault Studies, Meteorological Society of Japan, Japan Association of Mineralogical Sciences, Japan Cartographers Association, The Palaeontological Society of Japan, The Japanese Association for Arid Land Studies, The Society of Resource Geology, The Seismological Society of Japan, Japan Society Natural Disaster Science, Japan Society of Geoinformatics, Japanese Association of Hydrologic of Science, Japan Society of Hydrology & Water Resources, Society of Eco-Engineering, SEE, The Society for the Study of the Origin and Evolution of Life Japan, The Japanese Association for Petroleum Technology, The Japanese Society of Snow and Ice, The Geodetic Society of Japan, The Japan Society of Atmospheric Chemistry, Society of Atmospheric Electricity of Japan, The Sedimentological Society of Japan, Japan Association for Quaternary Research, Japan Society of Earth Science Education, The Association for the Geological Collaboration in Japan, Japanese Association of Groundwater Hydrology, The Geochemical Society of Japan, PALEO10: Paleosciences Society, Society of Geomagnetism and Earth, Planetary and Space Sciences, Japanese Geomorphological Union, The Geological Society of Japan, The Geothermal Research Society of Japan, The Japanese Society for Geographical Science, The Association of Japanese Geographers, The Geographic Education Society of Japan, The Association of Geography Educators of Japan, Geographic Information System Association of Japan, Tokyo Geographical Society, The Tohoku Geographical Association, Japanese society of soil physics, The Clay Science Society of Japan, The Society of Agricultural Meteorology of Japan, The Society of Exploration Geophysicists of Japan, The Japanese Society of Physical Hydrology, The Remote Sensing of Society Japan, The Japanese Society for Planetary Sciences (As of February 28th, 2019)

## Supporting Members

Regional city Convention attraction Promotion Council, FORTE Science Communication, ASO UNESCO GLOBAL GEOPARK, Crimson Interactive Japan, World Creations Inc., Japan Geoparks Network (JGN), American Journal Experts CACTUS COMMUNICATIONS K.K.

## Co-sponsor

The Astronomical Society of Japan, The Japanese Coral Reef Society, Japana Association for Earthquake Engineering, The Japan Landslide Society, The Japanese Geotechnical Society, Japan Society of Erosion Control Engineering, The Japan Society of High Pressure Science and Technology, Japan Society Of Civil Engineers

## Sponsorship

Science Council of Japan / Ministry of Education, Culture, Sports, Science and Technology-Japan / Geospatial Information Authority of Japan / Meteorological Research Institute / Kakioka Magnetic Observatory, Japan Meteorological Agency  
Hydrographic and Oceanographic Department, Japan Coast Guard / National Institute for Educational Policy Research  
Hokkaido Research Organization / Japan Oil, Gas and Metals National Corporation / National Museum of Nature and Science / Japan Aerospace Exploration Agency / Japan agency for Marine-Earth Science and Technology / National Institute for Environmental Studies, Japan / National Institute of Advanced Industrial Science and Technology / National Institute of Information and Communications Technology / Forestry and Forest Products Research Institute / Public Works Research Institute / Institute for Rural Engineering, NARO / National Institute for Materials Science  
National Research Institute for Earth Science and Disaster Resilience / RIKEN / High Energy Accelerator Research Organization / National Astronomical Observatory of Japan / National Institute of Polar Research / The Institute of Statistical Mathematics / Research Institute for Humanity and Nature (planned) / Japan Geotechnical Consultants Association / The Institute of Electronics, Information and Communication Engineers / Tokyo Geotechnical Consultant Association / The Japan Society of Mechanical Engineers / The Japan Society for Aeronautical and Space Sciences  
Japan Analytical Instruments Manufacturers' Association / Central Research Institute of Electric Power Industry  
Japan Space Forum / Association for The Development of Earthquake Prediction / Research Institute of Innovative Technology for the Earth / Fukuda Geological Institute / Japan Association of Surveyors / Chiba Convention Bureau and International Center / Chiba City / Chiba Prefectural Board of Education / Chiba City Board of Education

# Outline of Exhibition-1

## Outline

Name : JpGU-AGU 2020

Publishers Desk/University Panel/Science Society Desk

Data : May 24th (SUN) – 28th (THU) ,2020 For 5 days

Venue Makuhari Messe International Conference Hall

## Time Schedule

AM1 9:00AM-10:30AM

AM2 10:45AM-12:15PM

Lunch 12:15AM-2:15PM

PM1 2:15PM- 3:45PM

PM2 4:00PM- 5:30PM

PM3 5:45PM- 7:00PM(Poster core time)

\*8:00AM door opening (Conference hall)

8:30AM door opening (Exhibition hall)

## Schedule

May 23rd (SAT)	The previous day	3:00 PM - 6:00PM	Carrying-in
24th (SUN)	The first day	8:30AM -10:00AM 10:00AM - 7:00PM	Carrying-in and Installation Show Hours
25th (MON) to 27th(WED)	2nd to 4th day	10:00AM - 7:00PM	Show Hours
28th (THU)	The final day	10:00AM – 4:00PM 4:00PM – 5:30PM	Show Hours Dismantling

Deadline of Required Documents	2020	Deadline of Application for P.R.
<p>-[March 31st (TUE)] Registration of Booth details through online system.</p> <p>*Information being input by March 31 are printed on the program book, although you can update information by May 23 and information after April 1 will be posted on the web.</p>	March	<p>[March 10th(TUE) ] - JGL(News Letter) - Bar-code Scanner order [March 31st (TUE)] - Stamp Rally (Free) - Program Book (A4 size booklet) - Banner on Mobile Apps - Paper Cup Advertising</p>
<p>[April 10th (FRI)] Applications of options - Order for optional items - Nameplates - Booth settings - Internet - Vehicle Pass</p>	April	<p>[April 3rd (FRI)] - E-mail news (Free)</p> <p>[April 24th(FRI)] - Posting your Logo on the Top Page (Free) - Digital Signage</p>
<p>Ship your items for exhibition [May 8th (FRI)] Application for Exhibitor Pass On and after 9th (SAT), please issue your "e-ticket" for exhibitors pass and bring it to the venue.</p> <p>[May 19th (TUE)] Shipping notification</p>	May	<p>Please order through the online system JpGU-AGU 2020 website -&gt; Information for Exhibitors -&gt; For exhibitors [&gt;&gt; Log in ] <a href="https://www.jpгу-member.org/exhibition-booth/login/">https://www.jpгу-member.org/exhibition-booth/login/</a></p>

Please refer P.15-17 of this booklet for more details.

# Outline of Exhibition-2

## Contact (Inquiries)

About this booklet

About the venue, options, carrying-in and out

Makuhari Messe, Inc.

In charge of JpGU-AGU 2020 venue

Asakura (Ms.) , Shimizu (Mr.)

2-1, Nakase, Mihama-ku, Chiba-city, 261-8550 Japan

TEL: +81-43-296-0694 FAX: +81-43-296-0529

E-mail: [exhibition@jpgu.org](mailto:exhibition@jpgu.org) or [jpgu@m-messe.co.jp](mailto:jpgu@m-messe.co.jp)

About meeting, exhibition, and general information

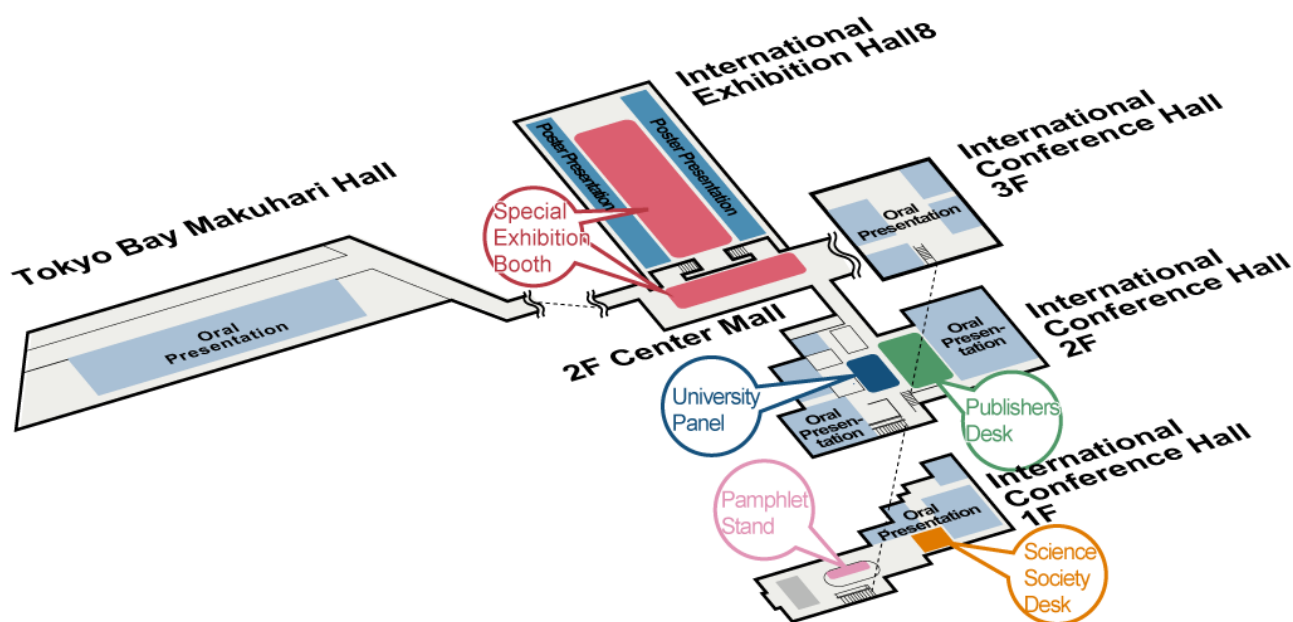
Japan Geoscience Union Office

2-4-16 Yayoi, Bunkyo-ku, Tokyo, 113-0032, Japan

TEL: +81-3-6914-2080 FAX: +81-3-6914-2088

Email: [exhibition@jpgu.org](mailto:exhibition@jpgu.org)

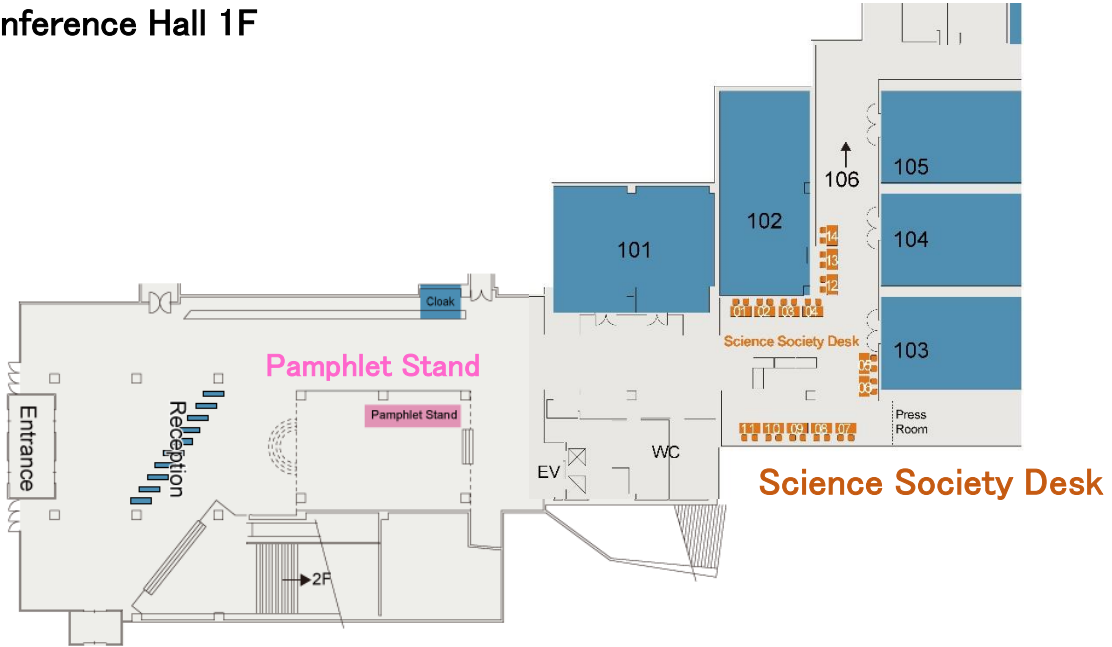
## Venue Map



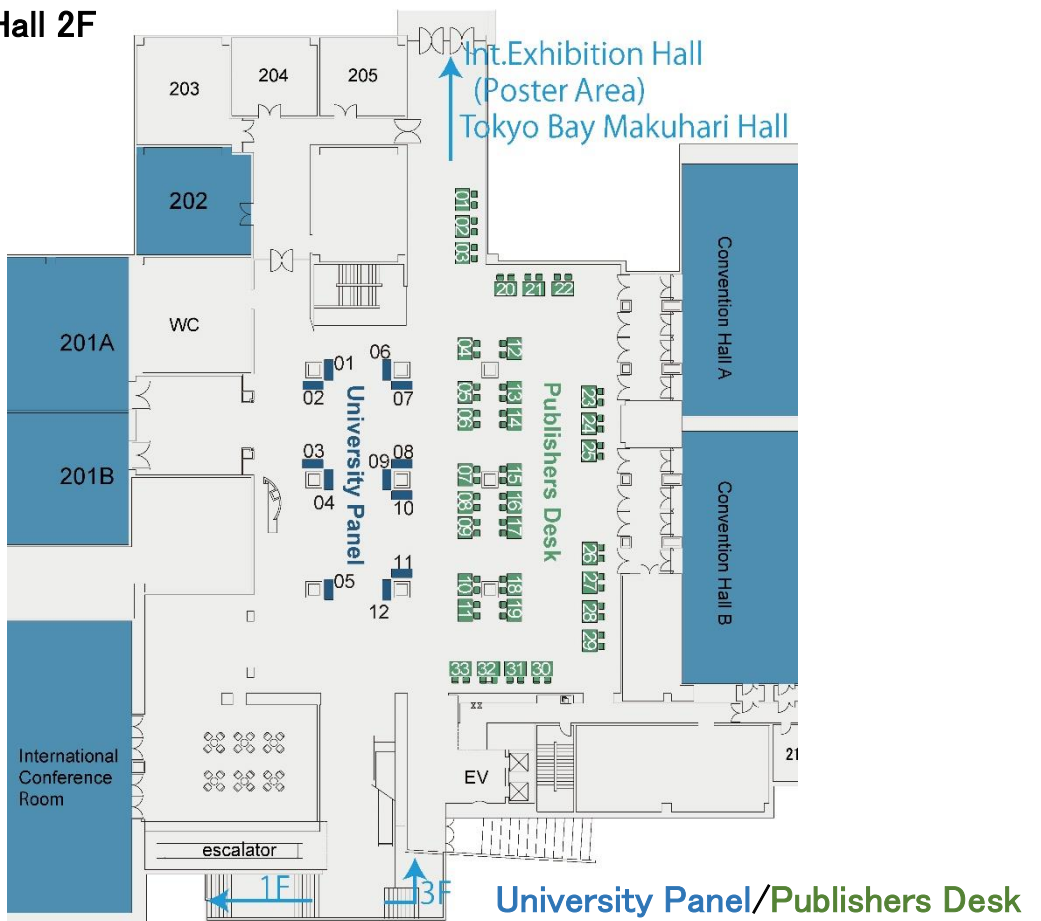
# Outline of Exhibition-3

## Floor Plan

### Conference Hall 1F



### Conference Hall 2F



# Booth Plan

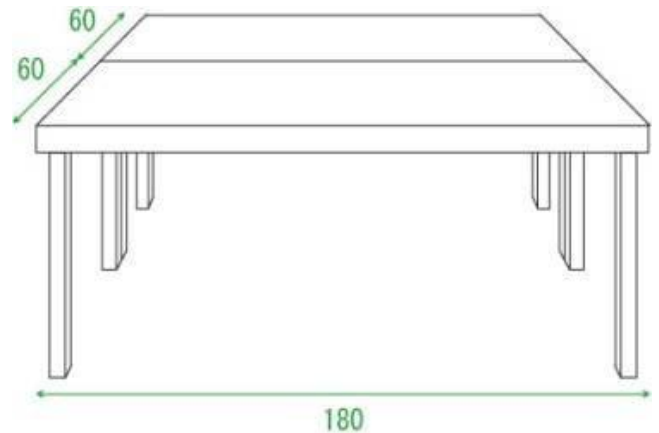
## Publishers Desk

Exhibition Fee : 55,000 JPY / booth

## Booth

Booth Size	W180 * D250 (cm) You can arrange your tables and chairs in this area. Although the booth No.7,10,15 and 18 are about 180cm depth, because there are pillars behind them.
Equipments (included on the booth fee)	2 Tables (W180cm * D60cm * H70cm)
	2 Tablecloth (white)
	2 Chairs
	1 Name plate (W42cm * H30cm) Name of the organization will be written in Black
Passes	2 Exhibitor Pass B Permission to enter only exhibition area *No additional Pass are provided without charge.
Details	Floor is carpeted. Electrical source is not supplied.

- Options : please refer to P.8.
- Basic installation will be ready on the day before.



# Booth Plan

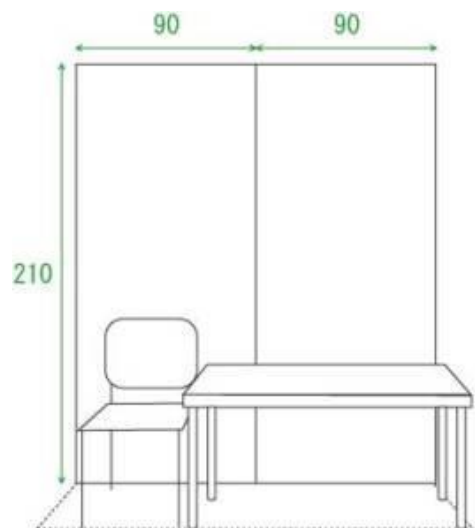
## University Panel

Exhibition Fee : 77,000 JPY / Panel

## Booth

Booth Size	W180 * D60 * H210 (cm)
Equipments (included on the booth fee)	1set Back Panel (H180 * H210)
	1 Table (W120cm * D60cm * H70cm)
	1 Tablecloth (white)
	1 Chair
	1 Name plate (W42cm * H30cm) Name of the organization will be written in Black
Passes	1 Exhibitor Pass A Permission to enter all rooms and exhibition area 2 Exhibitor Pass B Permission to enter only exhibition area *No additional Pass are provided without charge.
Details	Back and Side Panels: Covered with cloth You can use Pins, hooks and chains. There are no hooks and chains at the venue. Please be sure to bring them by yourselves. Floor is carpeted. Electrical source is not supplied.

- Options : please refer to P.8.
- Basic installation will be ready on the day before.



# Booth Plan

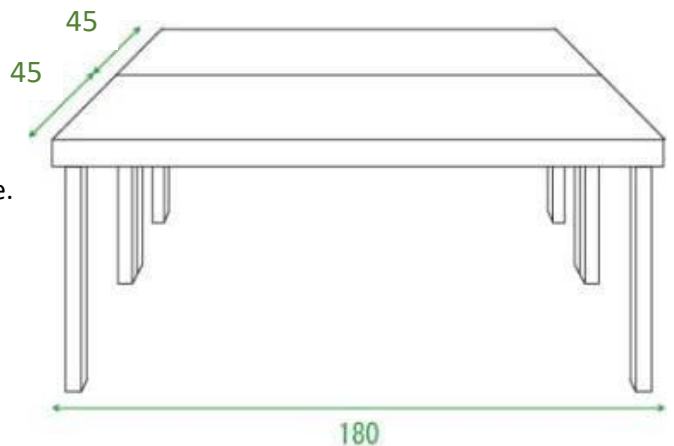
## Science Society Desk

Exhibition Fee: 44,000JPY / booth

Society member: 33,000JPY / booth

## Booth

Booth Size	W180 * D90 (cm)
Equipments (included on the booth fee)	2 Tables (W180cm * D45cm * H70cm)
	2 Tablecloths (white)
	2 Chairs
	1 Name plate (W42cm * H30cm) Name of the organization will be written in Black
Passes	2 Exhibitor Pass B Permission to enter only exhibition area *No additional Pass are provided without charge.
Details	Floor is carpeted. Electrical source is not supplied.



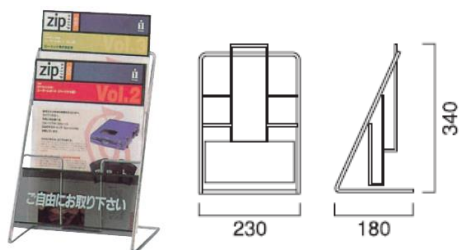
- Options : please refer to the next page.
- Basic installation will be ready on the day before.



# Options – 1 (Publishers Desk, University Panel, Science Society Desk)

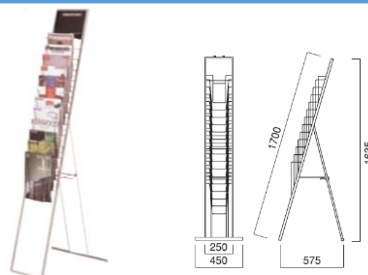
## Equipments and Fee (tax included)

### Catalog stand (Desk)



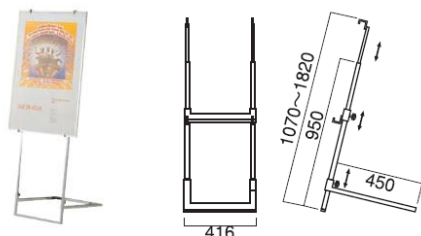
3,300 JPY  
W23 \* H34 \* D18(cm) A4size

### Catalog stand (floor)



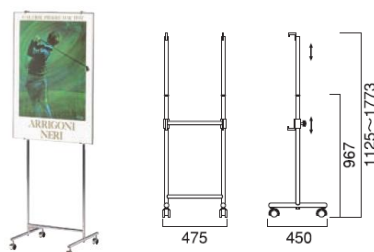
6,600 JPY  
W25(bottom45) \* H163.5 \* D57.5(cm) A4 size

### Panel stand 1



8,800 JPY  
\*Panels are not included  
W41.6 \* H107-182 \* D45(cm)

### Panel stand 2



7,700 JPY  
\*Panels are not included  
W47.5 \* H112.5-177.3 \* D45(cm)

### Arm light



3,300 JPY  
Power supply and something to clip is needed

### Poster board



5,500 JPY  
W130 × H185cm  
You can use your own pins, hooks and chains.  
University Panel cannot apply.

### Vehicle Pass



¥ free

Please order through the online system  
JpGU-AGU 2020 website -> Information for Exhibitors -> For exhibitors [>> Log in ]  
<https://www.jpгу-member.org/exhibition-booth/login/>

## Options - 2 (Publishers Desk, University Panel, Science Society Desk )

### Power usage

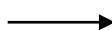
-Electrical source is not supplied. If you use electrical devices, please order through the online system (Deadline: April 10th (FRI))

Fee: 5,500JPY / 300W (single-phase 100V 50Hz, a duplex receptacle)

Order is available in unit of 300W

#### \*Notification

The duplex receptacle we will serve is Type A



If plugs of your equipments are not this type, please bring plug converters by yourself.

They are not provided at the venue

If you have a special request such as three phase or 200V, please request an estimate.

### Free Wi-Fi

- Free Wi-Fi service is available at lobby at the International Conference Hall.  
( SSID:MESSE-WiFi / PASS:messe\_ich )
- We don't provide configuring service. Please be responsible for security of your own PC or other devices.
- Please note that Wi-Fi service may be suspended without notice.
- We cannot guarantee the safety of the connection, connectivity and the internet speed
- Connectivity and accessibility will depend on the circumstance of the venue.

### Paid Wired Internet

Public Wi-Fi is for short term use. Please send application for exclusive wired leased line for your booth.  
Internet(Optical Line):88,000JPY(tax included)/line for 5 days

Please order through the online system  
JpGU-AGU 2020 website -> Information for Exhibitors -> For exhibitors [ >> Log in ]  
<https://www.jpгу-member.org/exhibition-booth/login/>

# Carrying-in - 1

## Date

Carrying-in on the day before and/or Carrying-in on the day is available from the date and time below.

May 23rd (SAT) 3:00PM - 6:00PM

May 24th (SUN) The first day 8:30AM - 10:00AM

Please follow the guidance below.

Please notify on your "shipping notification" through online system by May 19th (TUE)

<https://www.jpgu-member.org/exhibition-booth/login/>

## 1. By carrier agency (Domestic)

- The delivery time must be on May 23rd from 3:00PM to 6:00PM or 24th from 8:30AM to 10:00AM
- Please make sure to write the delivery slips following the sample.
- Please make sure [ No. / Total ] are written on all packages
- Packages will be delivered to your booth.

In case you will receive your packages by yourself, please write your contact (Phone number) in the field on the "shipping notification", and please write it on the delivery slips.

- The packages might be deposited at the other place on 23rd temporarily.

### [Delivery Slip Sample]

[ Address ]

2-1, Nakase, Mihama-ku, Chiba-city, 261-8550 Japan  
Makuhari Messe, International Conference hall  
JpGU-AGU 2020

Publishers Desk

(or University Panel, Science Society Desk)

\*please write your category

Booth No. XXX-XX(Your booth number)

Exhibitor's name (as registered)

TEL:043-296-0694

[ Item ]

Publishers Desk (or University Panel,  
Science Society Desk)

\*please write your category

Items enclosed

Exhibition A- XX

Exhibitor's name (as registered)

Package No. XX / Total XX \*example, No.1 / 10

Please write your cell-phone in case you  
receive your package at the venue

### \* Notification

- Please bring delivery slips to provide against accidents.
- Installation work is allowed within your booth area and be sure not to interfere other participant and exhibitors. Please cover the floor, walls or any belongings of Makuhari Messe when you will carry-in and out your packages.

### \* For overseas Exhibitors

JpGU recommends shipping agency below

Sometimes customs procedure takes along time, please contact them with time to spare.

contact : Cargo Live Japan

16F mBAY POINT Makuhari, 1-6Nakase, Mihama-ku, Chiba-city, 261-0023 Japan

Tel : +81-43-298-4741 Fax : +81-43-298-4740

E-mail: taka@cargolive.jp to: Matsute(Mr.) Subject of Email should be "JpGU-AGU 2020"

In case you deliver using other company, please make sure that your packages arrive within carrying-in-period (above), and that you receive your packages there. We CANNOT receive or keep your packages out of this period. Please also be informed that we will not go through procedures for custom.

# Carrying-in - 2

## 2. By yourself

Please carry-in during May **23rd** (SAT, The previous day) 3:00 PM ~ 6:00PM or **24th**(SUN, The first day) 8:30AM-10:00AM

All vehicles coming to the venue are required to show the [Vehicle Pass], except for major domestic carrier companies. Venue (Makuhari Messe) will issue [Vehicle Pass] at exhibitors request. Please request through online system. (Deadline: April **10th** (FRI) )

## Carrying-in route

- See the [Vehicle Pass] for the information about carrying-in route .
- Please show the security guard the [Vehicle Pass].

## <Exhibitor Pass>

- Please wear your name tag all the time.
- Please request Passes by May **8th** through online system.
- Extra Exhibitor pass is available in **1,100** JPY / person.  
You can also order them through online system.
- In case you make presentation, please register as a participant not only as an exhibitor.

## - How to issue

After May **9th**, you can issue e-ticket for pass. Please log-in to the online system and follow the guidance to print out your e-ticket. You can issue your pass with the barcode at the venue.

Please order through the online system  
JpGU-AGU 2020 website -> Information for Exhibitors -> For exhibitors [ >> Log in ]  
<https://www.jpгу-member.org/exhibition-booth/login/>

# Carrying-out

Carrying-out date: the last day May **28**(THU) 3:30PM- 5:30PM  
Please complete your dismantling work by 5:30PM.

## 1. Recommended Delivery Company

### To domestic

- We recommend YAMATO Transport Co.,Ltd., Cash on delivery. Delivery slip will be provided at office room in Exhibition Hall 8.  
Please bring your packages with written delivery slips to the collecting space by 28th 5:30PM.
- Every package needs its delivery slip on which required fields are fully filled. Packages with imperfect slips or without slips might be unshipped.
- Packages will be delivered two days later, not on the next day.

### To overseas

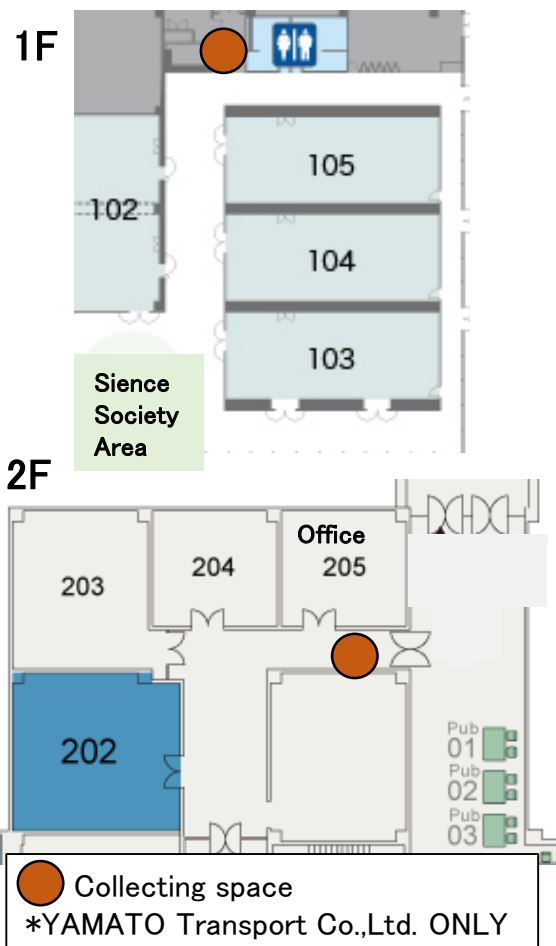
- We recommend Cargo Live Japan.  
Please contact them before the meeting.  
contact: Cargo Live Japan  
16F mBAY POINT Makuhari, 1-6Nakase,  
Mihama-ku, Chiba-city, 261-0023 Japan  
Tel: +81-43-298-4741 Fax: +81-43-298-4740  
E-mail: taka@cargolive.jp to: Matsute(Mr.)  
\*Subject of Email should be "JpGU-AGU 2020"

## 2. Ship by yourself

- We will not intermediate your shipping.
- Please remove your belongings from your booth by 5:30PM, and delivery services should also remove your packages by 5:30PM
- In case yourself or other delivery service (**except for major domestic carrier companies**) will do carry-out, please show [Vehicle Pass] at the East gate 2.

## 3. Other notes

- Although we, JpGU, will make an effort to keep your safety though carrying-in and out, we will not take any responsibility for any damage, loss, or robbery and so on caused to exhibitors' property. Please be responsible and aware on your belongings.
- The final day May **28**th (Thu) 5:45PM – 7:00PM is poster core time. As Special Exhibition area and Poster presentation are at the same hall, please be careful not to interrupt the presentations.



# Notification-1

Exhibitors shall observe the following regulations

## 1. General

- We will make every effort to ensure the security of the venue during the Meeting. However management cannot assume responsibility for damage arising from natural disaster, fire, theft, loss of property or any other cause. Please make your belongings secured by yourself, such as not to leave your valuables on the empty booth, or to use chains to fix to the booth. Exhibitors are asked to be responsible for all of their belongings and to obtain suitable insurance cover for any valuable items.
- Unfortunately there is no storage space available at the meeting venue.
- We may, due to force majeure, make major changes to the exhibition timetable or, in extreme cases, cancel exhibitions entirely. In such case part of the exhibition fee may be refunded to exhibitors. In no other case shall we be responsible for losses or expenses incurred by exhibitors.
- We reserves the right to refuse to allow any exhibition which is in their view unsuitable for JpGU Meeting.
- Subletting, selling, transferring, or exchanging exhibition space, either in whole or in part, to any third party, including other exhibitors, is prohibited.
- Please abide by the timetable given for carrying-in, showing and carrying-out exhibitions. Please contact us as soon as possible should this not be possible.

## 2. Exhibition Installation and Removal

- Direct work upon or modification to the floors, walls, columns, doors and other structures of the exhibition venue is prohibited. Please be careful not to damage or deface any part of the venue during carrying-in, carrying-out, and show hours.
- Exhibitors are not permitted to erect temporary ceilings or any similar structure. As a general rule the height limit for the highest point of an exhibition is 2.1m. Exhibitors who of necessity wish to exceed this limit are asked to obtain permission to do so from the venue ([Email exhibition@jpgu.org](mailto:exhibition@jpgu.org)) in advance. We reserves the right to refuse such permission at its discretion.
- Maximum allowed load pressure on the exhibition hall floor is 360 kg/m<sup>2</sup> Those with heavy exhibits are asked to contact us in advance.
- Any potentially flammable materials used in exhibitions such as display mountings, carpeting, curtains etc. must be fireproof. Please attach a fireproof tag to all such items.
- The Japanese fire prevention law prohibits smoking, live flames, exposed elements, liquefied petroleum gas or other flammable gases, gasoline, kerosene, flammable oils and other similar hazardous objects and substances.
- Exhibitors are required to remove and suitably dispose of all of their waste and scrap materials.
- As there is no storage space available at the venue, exhibitors are asked to keep empty boxes, packaging materials, stocks etc. within their exhibition booth.
- If either we or exhibition venue staff determine that an exhibit is dangerous or is causing any other problem the exhibitor will be required to immediately take any necessary corrective measures.

# Notification-2

## During Exhibition Hours

- Exhibitors are required to keep noise, vibration, smell, smoke etc. to levels which do not interfere with other exhibitors, meeting participants or venue staff.
- Be aware that foods and drinks are strictly prohibited to be brought in by users.
- Exhibitors should restrict the audio volume from their booth so as not to cause inconvenience to other exhibitors and participants. If complaints are received or noise is deemed to be excessive the we will require the exhibitor in question to reduce the volume. In addition to disrupting the normal progress of the meeting, excessive volume may cause serious problems in an emergency situation.
- Exhibitors are not permitted to use the space outside their booth for presentations or product exhibitions.
- If either we or exhibition venue staff determine that an exhibit is dangerous or is causing any other problem the exhibitor will be required to immediately take any necessary corrective measures.

# P.R. application– 1

Exhibitors can apply for advertisement through the online system  
JpGU-AGU 2020 website -> Information for Exhibitors -> For exhibitors [ >> Log in ]  
<https://www.jpgu-member.org/exhibition-booth/login/>

## Stamp Rally

Stamp Rally is a simple game for the participants. Participants collect stamps at each booth to fill their stamp card and by finishing it, they get a prize.

All you have to do is prepare small prizes, talk to the participants, give them a stamp and have fun!

[Application deadline] March **31<sup>st</sup> (TUE)**(available on a first-come basis)

[Application fee] Free(Please provide prizes or small present 20pcs and bring your stamp)

\*Number of exhibitors who are able to apply is limited.

## Mailnews

E-mail news special issue will introduce exhibitors to JpGU Members and ID holders, about 7,000 person.

The mail news will be sent in two parts before the Meeting.

[Fee] Free

[Deadline]April **3rd**(Fri)

[Material format]English: Within 68 one-byte characters x 5 lines (txt only)

Japanese:Within 34 two-byte characters x 5 lines (txt only)

You can send in either English or Japanese, or both.

## Posting your logo on our web

We will provide a free logo posting service on our web

Putting your logo on the top page of meeting website, we will introduce exhibitors.

Logo will be randomly shown.

[Deadline] April **24th** (Fri)

[Sending material] via E-mail

[Material format] within 50(h)pixel \* 170(w) pixel format: GIF, JPG, or PNG file.

[Application fee] Free

## Digital Signage

We will display your P.R. along with the information from JpGU on a digital signage near the reception (International Conference Hall 1F),.

[Fee] **11,000JPY** /10sec.

[Deadline] April **24th**(Fri)

[Format] PDF 16:9 aspect ratio, Landscape

[Sending material] via E-mail



## P.R. application– 2

### Banner on Mobile Apps(iPhone and Android)

Mobile Application for **JpGU-AGU 2020** is getting ready. It offers Meeting information before, during, and after the meeting term.

Your banner will be shown on the bottom of the top page. Tapping your banner enables you to jump to indicated URL.

With every 5 seconds, banner image will be replaced.

[Fee] **33,000JPY**

[Deadline] March **31th**(Tue)

[Material format] 210 (h)pixel\*1536(w) pixel  
format: png, eps, ai, or psd file.

reference: Use of App  
for 2019 Meeting

The number of Downloaded  
iOS: 2,231  
Android: 937  
Total: 3,168

### Advertisement in the Meeting Program Book

Program Book will be distributed to all participants, and it includes general information, schedule, index of authors, and other useful information. This program book is written in English.

Prints:5000(planned)

[Deadline] March **31th**(Tue)

[Sending material] by email or using file transfer service

\*Please send us with "[Program Book Ad]" as the subject

Send to: [exhibition@jpgu.org](mailto:exhibition@jpgu.org)

[Material format] pdf, eps etc.

\*Program Book will be distributed to all participants

\*Advertisement on covers are limited to one each.

	Full page	Half page	Quarter page
Size H × W (mm)	250 × 180	120 × 180	120 × 85
Fee	<b>165,000JPY</b>	<b>82,500JPY</b>	<b>44,000JPY</b>

	The inside front cover (Black and White)	The inside back cover (Black and White)	The outside back cover (Full color)
Size H × W (mm)	-	250 × 180	250 × 180
Fee	-	<b>198,000JPY</b>	<b>275,000JPY</b>

# P.R. application– 3

## Advertisement in JGL

JGL is delivered to all members ( if they wish ) to summarize latest earth planetary science related information and provide them to researchers.

JGL is published 4 times a year in February, May, August and November.

JGL issued in May 2020 are used as program book of the Meeting.

Articles are written in Japanese.

prints:10,000 (planned)

[Deadline] March 10th (TUE)

[Material format] pdf, eps etc.

	Fee	Size (H *W)
Full page	305,800JPY	235mm × 170mm
Half page	152,900JPY	110mm × 170mm
One-third of page	101,860JPY	235mm × 52mm or 75mm × 170mm
One-sixth of page	50,930JPY	110mm × 52mm or 75mm × 80mm

## Paper cup advertising

Meeting provide complimentary coffee and water for participants. Please apply to provide your original paper cup as an advertisement.

[Deadline] March 31th(Tue)

[Things you provide] Printed coffee cups \* 2,000pcs

[Fee] 22,000JPY/2,000pcs(not includes the price of cups, printing fee)

[The number of limit] 10,000 (2,000pcs \* 5days)

\*Please tell us your request regarding the day your cups used.

[information]

Coffee schedule :International Conference Hall: 10:30am- and 3:15pm-

International Exhibition Hall : all day

Tokyo Bay Makuhari Hall:10:30am- and 3:15pm-

## Bar-code scanner

We will lend out a hand-held scanner which can read the bar-codes printed on participant's name tags. The participants' [name, organizations, email address, and scanning date] will be provided to you later.

[Fee] 16,500JPY/scanner

[Deadline] March 13th (Fri)

\*Please obtain his/her consent before scanning tag.

\*Information on some people (participants for public sessions, keynote speeches, High school students or younger, and others) are not provided.

\*Staff need to be your booth during show hours.

\*Please be informed that exhibitors for Pamphlet Stand can not apply.

# Payment

## - Booth fee and advertising fee

Booth fee and advertising fee are to be paid to Japan Geoscience Union.

**You can issue the invoice through the online system by yourself.**

**JpGU Office will not send invoice or other bills.**

Please check its amount and transfer the fee and please make payment with in a month.

You can choose payment by bank transfer or by credit card.

account shown below. Please kindly contact us in case any extra procedure or documents are needed.

### The bank account

SUMITOMO MITSUI BANKING CORPORATION

Koishikawa Branch

Savings account:3761271 Japan Geoscience Union

Swift Code: SMBCJPJT

\* Please burden bank transfer fee at your expense.

## - Options Fees

The person in charge from Makuhari Messe will contact you regarding of your order about options' fees (Fee for optional items, power, internet line, logo on name plate)

## - Cancellation

Cancel is not accepted basically after applying.

Please contact us if you need to cancel caused of any unavoidable reason.

Please note that cancellation fees below will arise.

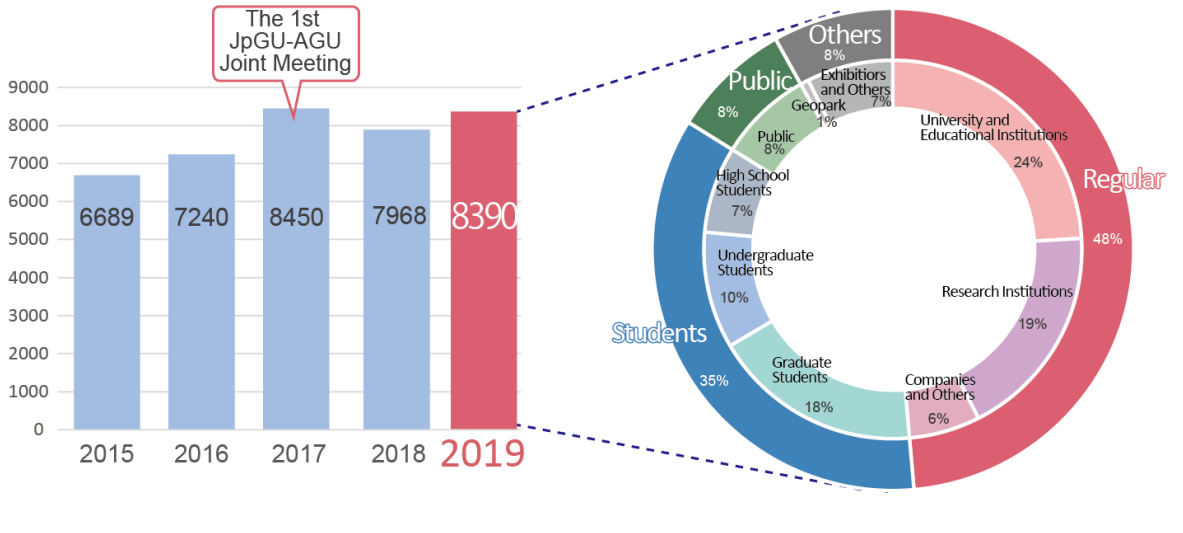
By March 31th (Tue) 50% of exhibition fee

After April 1st (Mon) full amount of fees

# Reference: JpGU Meeting Reports

Name	Japan Geoscience Meeting 2019
Date	May 26 (Sun) - 30 (Thu) , 2019
Venue	Makuhari Messe, International Conference Hall, International Exhibition Hall8 Tokyo Bay Makuhari Hall Chiba, JAPAN

## Number of participants



## Number of participants from abroad

1	Taiwan	151
2	USA	136
3	China	123
4	Korea	39
5	Germany	37
⋮	⋮	⋮
Total		<b>41</b> countries and regions <b>655</b>



## Number of presentations

